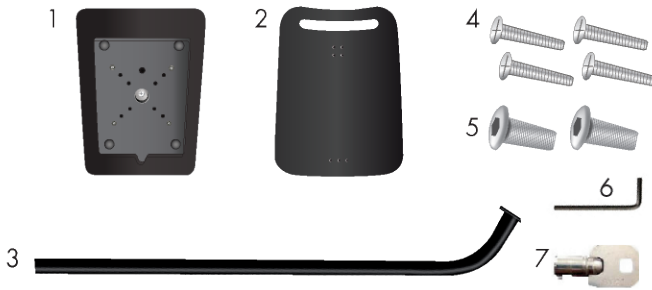


Tablet Display Stand

Product Parts

- 1 - Tablet Case (x1)
- 2 - Base (x1)
- 3 - Pole (x1)
- 4 - Phillips Head Screws (x4)
- 5 - Button Head Screws (x2)
- 6 - 4mm Hex Wrench (x1)
- 7 - Tablet Case Key (x1)



*Standard Phillips screwdriver is needed for assembly (not included)



Display Set-Up

Step 1

Unpack all product parts from the box, and determine you have everything listed above.

Step 3

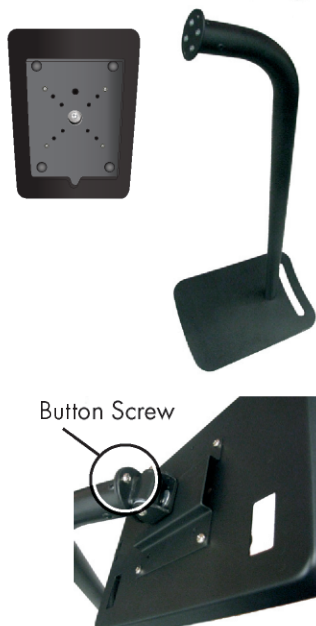
Turn the stand upright. Locate the Tablet case and the two button screws.

Tilt the unit down to expose the top screw hole on the back of the tablet holder. Insert a button screw in the top hole into the determined tapped hole on the stand.

Tilt the unit up to expose the bottom screw hole on the back of the tablet holder.

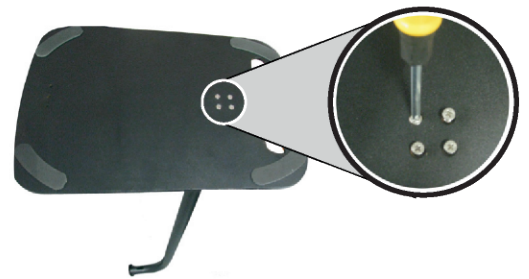
Tighten both button screws snug to the stand using the 4mm hex wrench provided.

Do not overtighten.



Step 2

Begin by turning the base upside down and attach the base (2) to the pole (3) using the four phillips head screws (4). Get all the screws started first, then tighten them using a standard phillips screwdriver. Do not over-tighten and DO NOT USE a powered drill.



Step 4

Remove the protective cover on the face of the tablet holder.



Step 5

Unlock the tablet case by inserting the case key and turning either left or right.

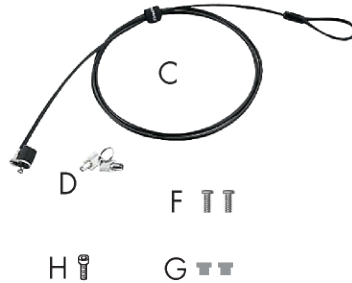
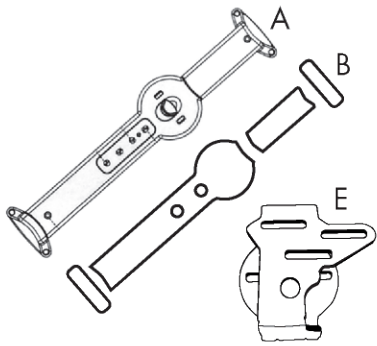
To lock the case, simply push the pin of the lock in.



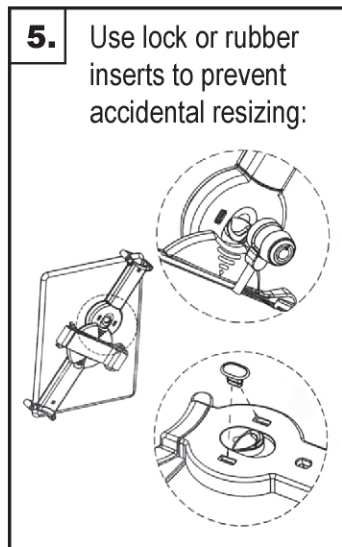
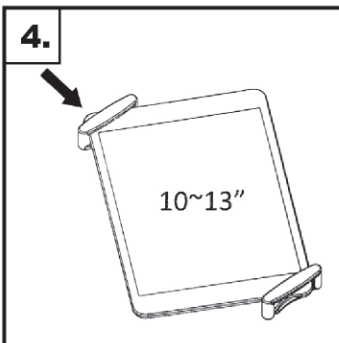
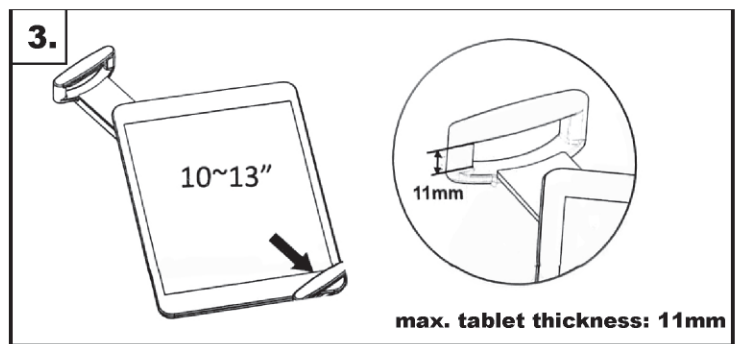
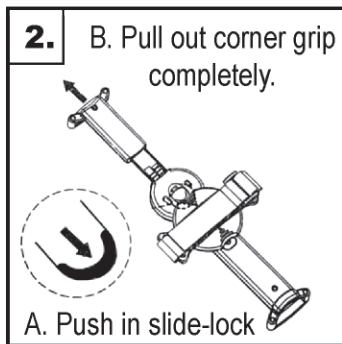
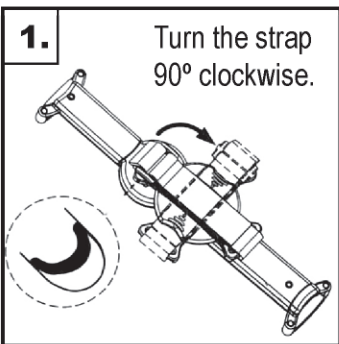
Universal Tablet Holder

Product Parts

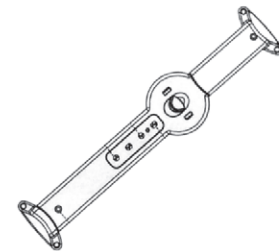
- A - Adjustable Security Grip Holder (x1)
- B - Foam Spacers (x6)
- C - 59" Galvanized Steel Security Cable with PVC coating (x1)
- D - Lock Keys (x2)
- E - Universal Mounting Bracket (x1)
- F - Grip Holder Screws (x2)
- G - Rubber Inserts (x2)
- H - Hex Screw (x1)



Inserting Your Tablet into Adjustable Security Grip:

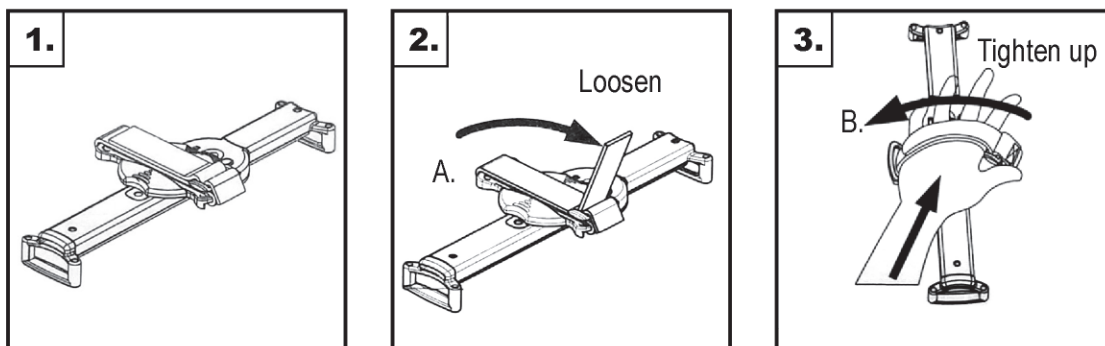


Use the extra spacer(s) for better fitting if needed for thinner tablets



Compatible with all
Creative Banner and Showdown Displays
Tablet Stands

Using the Hand Strap:



Attaching Adjustable Security Grip to Tablet Stand:

Step 1 & 2 & 3

Loosen hand strap from Adjustable Security Grip Holder (A) to expose screw and washers. Remove screw and washers to disassemble hand strap mechanism from main body.

Step 4

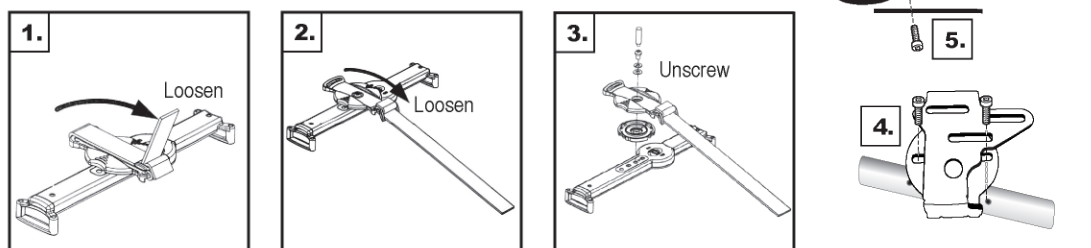
Secure Universal Mounting Bracket (E) to your stand with existing stand screws.

Step 5

Then secure Adjustable Security Grip Holder (A) to your Mounting Bracket (E) using the supplied Screws (F or H).

Step 6

Secure the looped end of the Security Cable (C) to your stand or fixed object. Then attach the locking end to either security slot on the back of the Adjustable Security Grip Holder (A) using the Lock Key (D).



Tablet Display Stand Detachable Graphic Panel with Clips (Sold Separately)

Step 1

Attach the Detachable Clips to the graphic with the hook and loop sections on each.

Step 2

Attach the clips to the Pole (3).



Storage & Care

Place all product parts into shipping box and store in a cool, dry location.
To clean, wipe with damp cloth.